

## O-GUARD

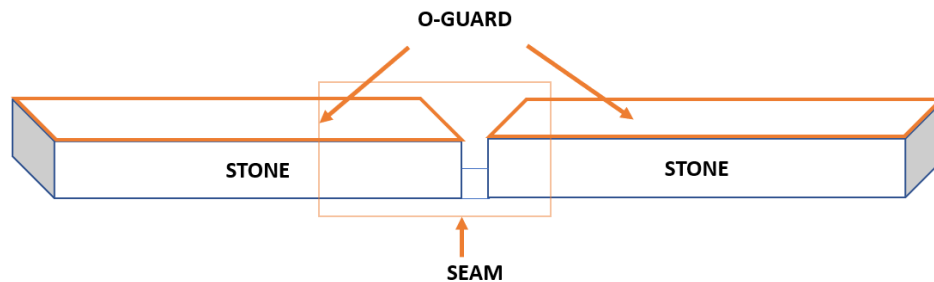
### Limitations and Acknowledgement

The following document provides information about the O-Guard, the installation process, and its limitations. O-Guard is applied to natural stone to protect it from etching and staining. It will not hide any imperfections in the stone, which, if possible, should be corrected prior to application.

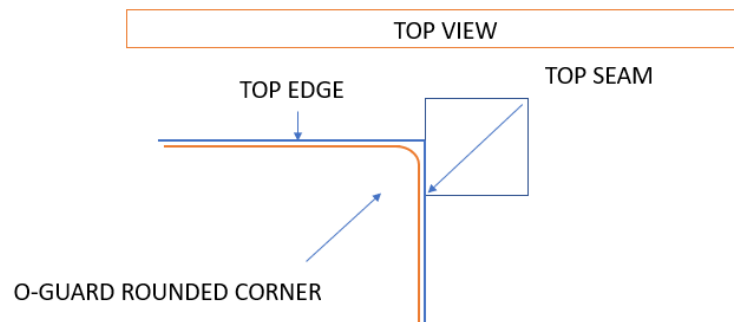
1. O-Guard may only be applied to natural stone counters, and backsplashes and walls which are a single slab and have no grout, silicone, or other joints. The O-Guard will go on the surface only and will not wrap around the edges. During the trimming process, the O-Guard will be cut at an angle to diminish the possibility of it being snagged and pulled up.



2. O-Guard is applied to each individual piece of natural stone, and it is cut at the end of each seam. This ensures that the surface looks natural and avoids the O-Guard from having issues adhesion as seams are generally lower than the surface of the stone.



3. The stone where the O-Guard will be applied is cleaned multiple times with various products and using different techniques. This is done to minimize the chances of contaminants such as dust being trapped between the O-Guard and the stone, or to the O-Guard adhesive. There are still chances of contaminants landing between the surface and the stone, or the adhesive coating on the O-Guard between the cleaning and application. This happens in a matter of seconds and may cause some defects such as bumps on the film to be visible. These bumps do not at all interfere with the performance of the O-Guard and are usually only visible if one gets very close. Installation must take place in as dust-free environment as possible, but as the installer cannot control the environment, we cannot guarantee that contamination will not take place.
4. It is possible that the natural stone surface where the O-Guard is being installed may have imperfections such as cracks, chips, nicks, holes and other issues that affect the appearance of the stone. It is recommended that these issues are fixed before installation if possible. The repair of these imperfections is not included with the installation. Any imperfection will still be visible through the O-Guard as it is not designed to hide these imperfections. It is important to note that these imperfections are visible prior to the application of the O-Guard. If the stone under the O-Guard is imperfect, the surface created by the O-Guard will have imperfections as well.
5. Should the edges or the seam of the stone have chips that have not been repaired prior to the application of the O-Guard, the installer will cut around the chip. The O-Guard cannot be left floating over any edge as it increases the chances that it will be snagged and pulled up, or for dirt to build under it that may cause the adhesive to fail. This same principle applies to seams. Corners will also be rounded and not kept straight as this will diminish the possibility that the product will lift. Keep in mind that the rounded corners are cut freehand and cannot always be perfect.



6. Installation of the O-Guard changes the reflection from the stone to the O-Guard. This means that some imperfections may stop being visible, or may be diminished, and others may be accentuated. Any corrections or stain removal must be done prior to installation.
7. Occasionally, an air or water bubble may form during the installation of the O-Guard. This is normal and the water tends to evaporate on its own. Remember that the O-Guard is gas permeable so the evaporated water will eventually dissipate.
8. It is important that you treat your protected surface similarly to when it was not protected. This means that you should cut directly on it as it will scuff the O-Guard, no abrasive cleaners should be used, hot pans and pots should be put on a trivet, and nobody should be allowed to pick at the edges.

I have read the information provided to me regarding the O-Guard, I understand the risks and limitations, and I accept them.

-----  
Client name

-----  
Client signature

-----  
Date